



Model: 1050E Top Drive  
Serial #: All

Dec. 15, 2020

Product Bulletin # TDS-228 v 1.0

## Top Drive Guard Hinge Pin

### Issue

The hinge pins on the top drive guard front access covers for **Canrig Top Drive model 1050E**, do not have a provision for safety securement to prevent a dropped object incident. See Figure 1 for reference to hinge pin locations.

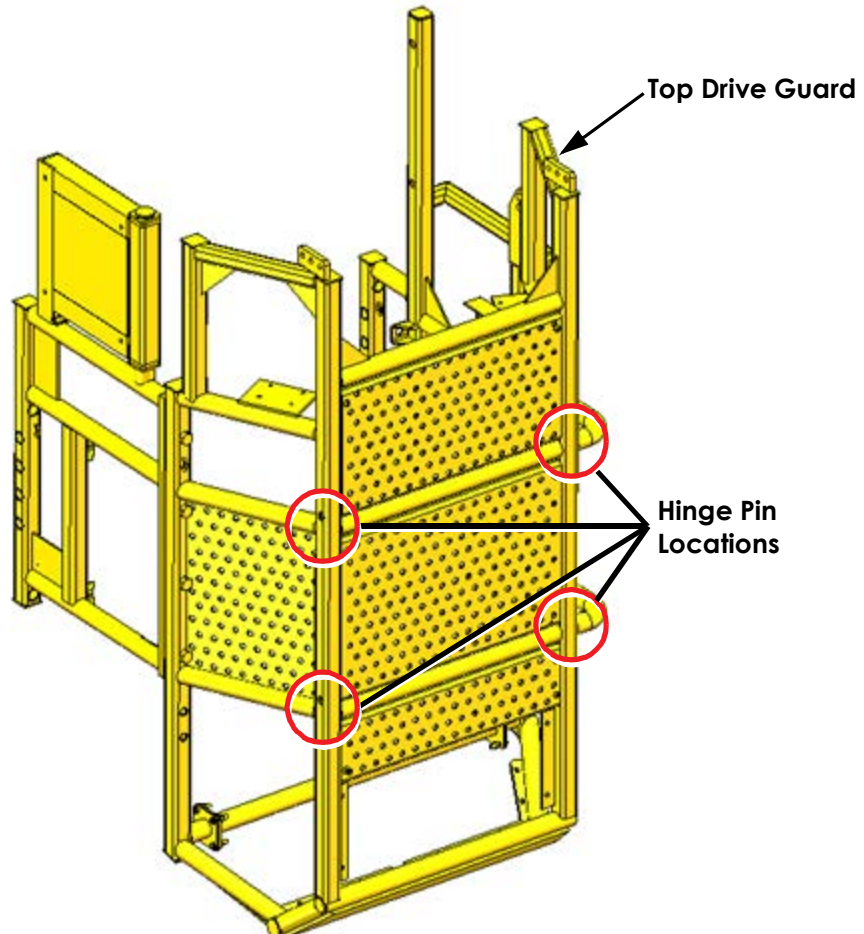


Figure 1: Hinge Pin Locations



Model: 1050E Top Drive

Serial #: All

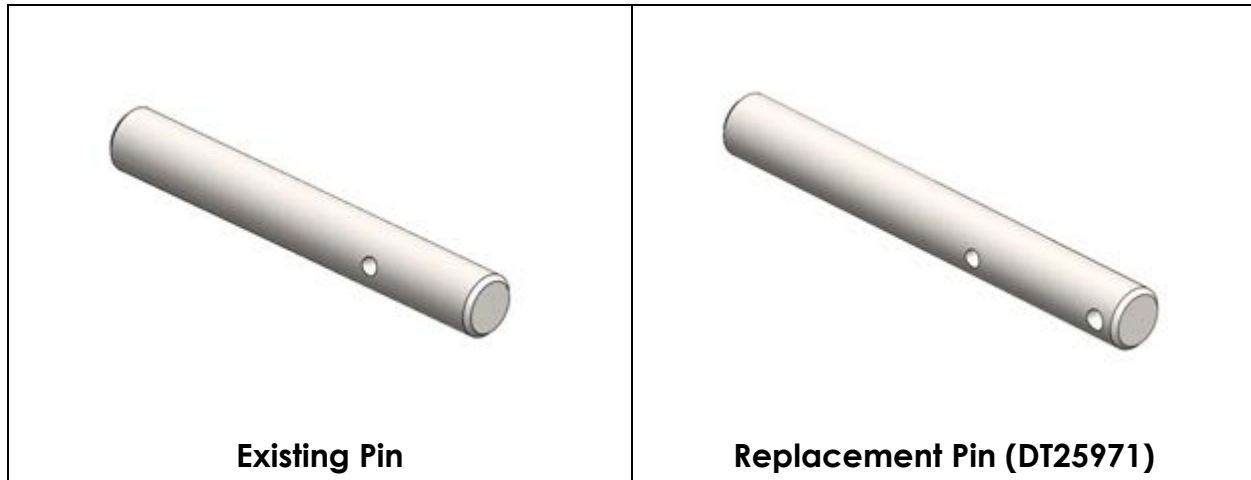
Dec. 15, 2020

## Recommendation

- Canrig recommends adding safety securement to the hinge pin.
- The replacement pin is Canrig P/N: DT25971. It is longer than the original pin and has an additional hole that can be used for safety securement.
- Alternatively, the existing pin can be modified by welding material on the end of the pin to allow for the installation of safety securement.

## Part Availability

Contact RIGLINE 24/7™ to order the upgraded hinge pin (Canrig P/N: DT25971).



## Safety Securement Installation

Use 1/8" wire rope and ferrules to secure the top drive guard hinge pin to the access cover panels.

1. Install the pins as shown in Figure 2.



**Note:** Ensure the cotter pin is properly installed with the legs splayed as shown. Use new cotter pins only.

2. Secure the top drive guard hinge pin to the access cover panel with minimal slack in the wire rope as shown in Figure 2.

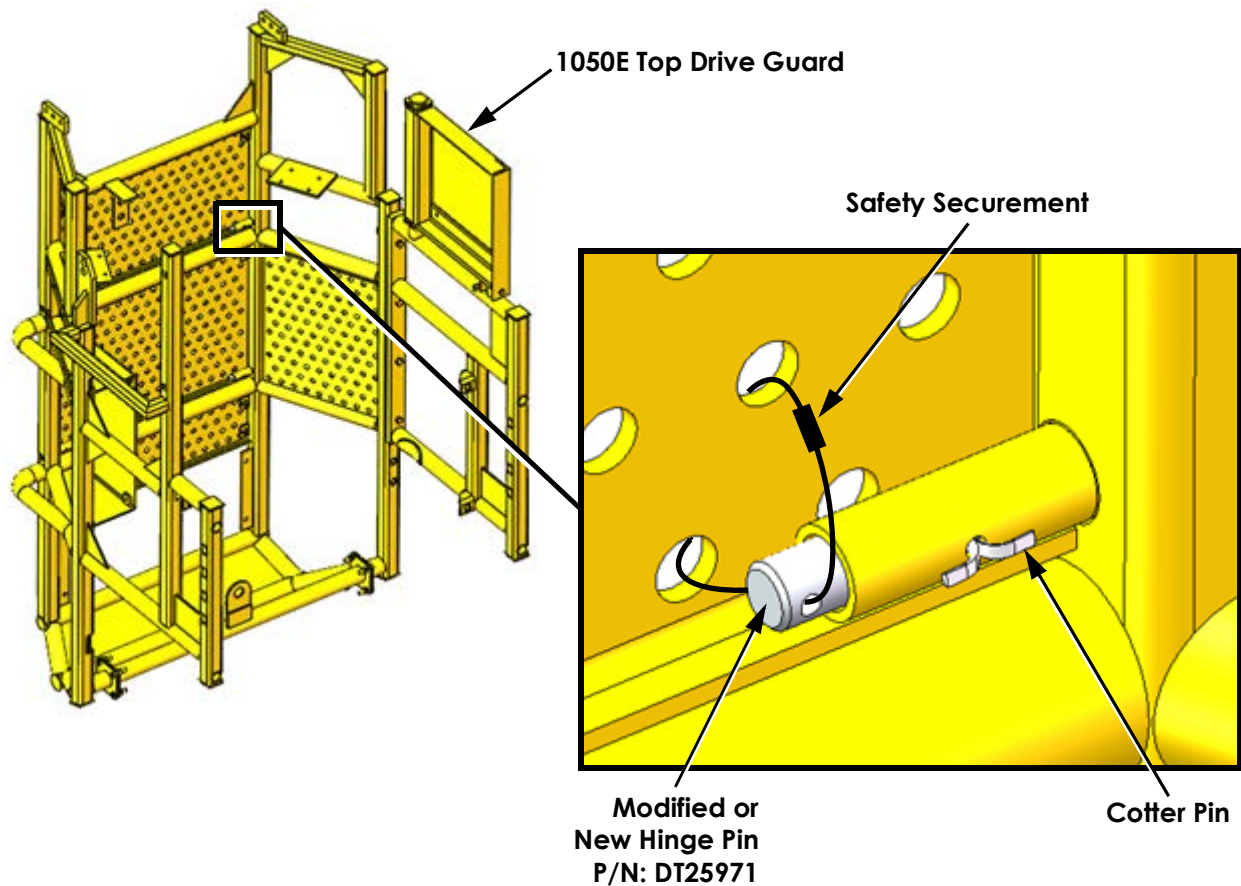


Figure 2: Safety Securement Installation