

Floor Panel Advisory

The weight of both floor-panel designs (See Figure 1 and Figure 2) for the PC3000 Catwalk exceed the industry-accepted weight limit for a single-person lift. Proper lifting equipment must be used, and/or more than one person must perform the lift.

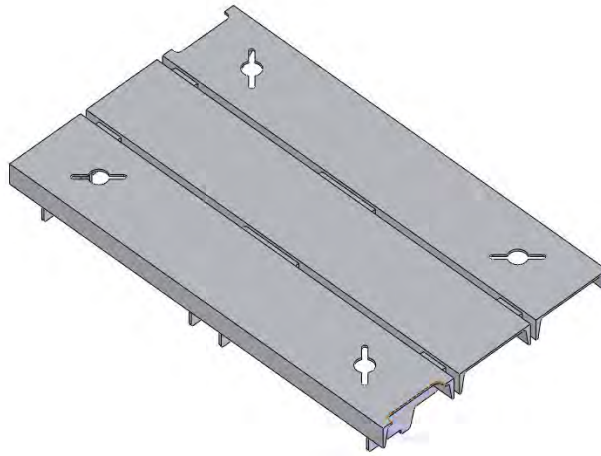


Figure 1: Removable Floor Panel (approximately 200 lb)

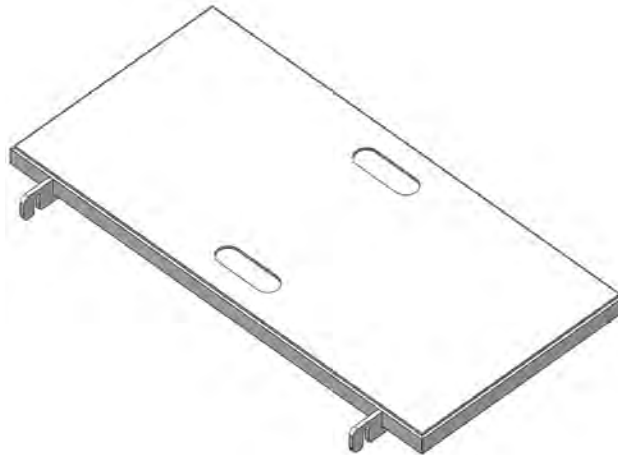


Figure 2: Hinged Floor Panel (approximately 100 lb)

Recommendation

Affix lift-caution decals (Refer to Figure 3) on the c-channel beam on the main catwalk structure. Position the decals at the center of each floor panel as shown in Figure 4 and Figure 5. Contact RigLine 24/7™ Support to order the decals (Canrig P/N DT50459).

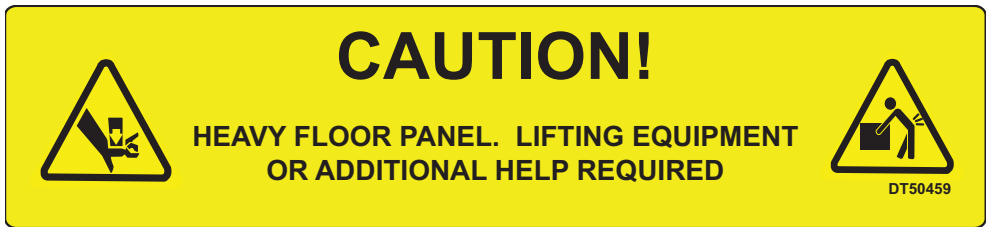


Figure 3: Caution Decal (Canrig P/N DT50459)

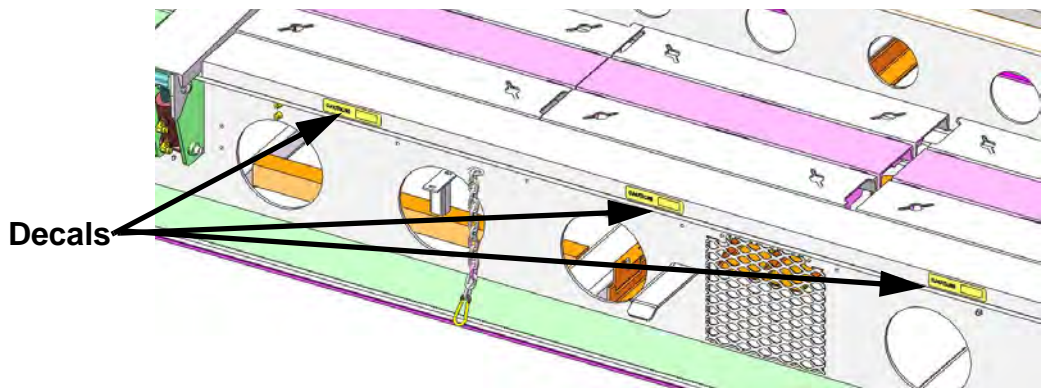


Figure 4: Decals on Removable Floor Panels

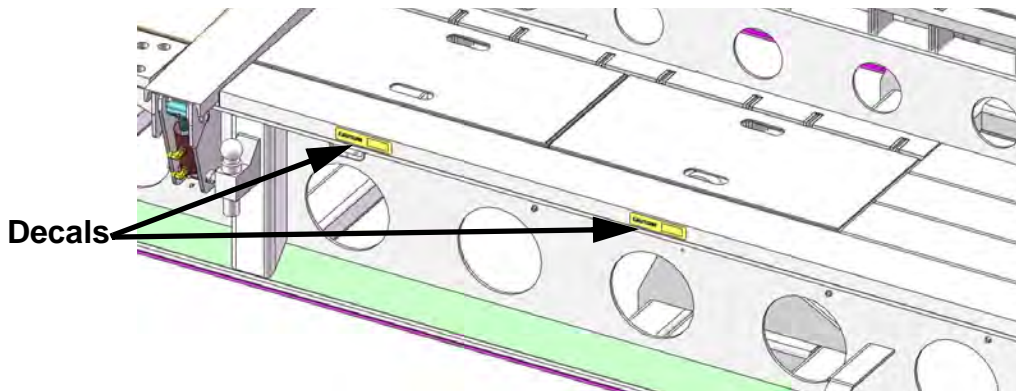


Figure 5: Decals on Hinged Floor Panels